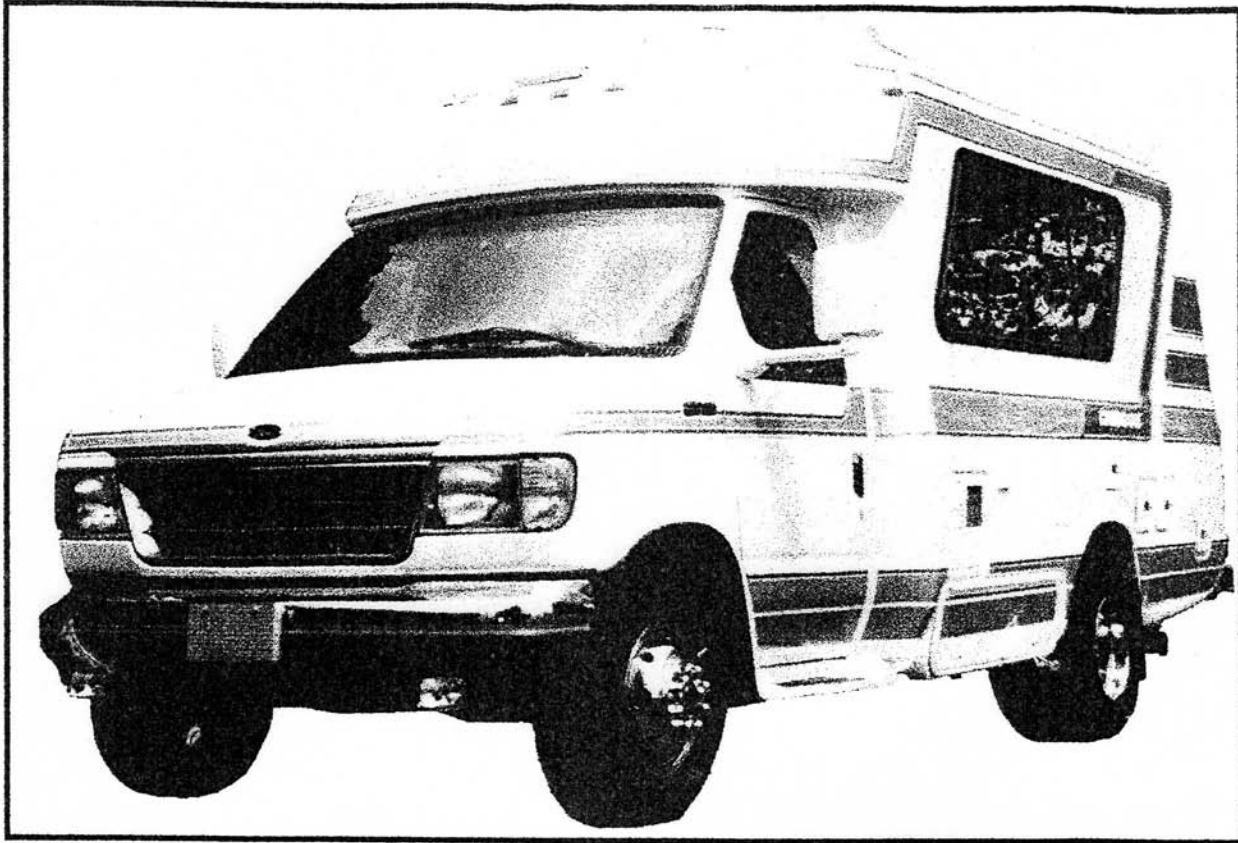


# **CHINOOK<sub>RV</sub>**



## ***OWNER'S MANUAL***

*CONCOURSE & PREMIER MODELS*

**8-30-96**

# TABLE OF CONTENTS

<b>1. Service</b>	<b>1-1</b>
<b>2. Floor Plan and Features</b>	<b>2-1</b>
<b>3. Vehicle Operation</b>	<b>3-1</b>
<b>4. Electrical System</b>	<b>4-1</b>
<b>5. Fresh Water System</b>	<b>5-1</b>
<b>6. Waste Water System</b>	<b>6-1</b>
<b>7. LP Gas System</b>	<b>7-1</b>
<b>8. Maintenance</b>	<b>8-1</b>
<b>9. Specifications</b>	<b>9-1</b>

# FLOOR PLANS & FEATURES

## GENERAL

Your Chinook motorhome is a compact, yet versatile, recreational vehicle loaded with features designed for your comfort and convenience. To help you in locating and identifying these features, refer to one of the three basic floor plans shown in Figures 2.1 through 2.3. Note that, if your motorhome is a Concourse or Premier rear entry door model, you will have a Dinette, Club, or Twin Bed option. While Figures 2.1 and 2.2 only show the Dinette option, all other components are identical among these three options.

## SYSTEMS MONITOR PANEL

At the press of a button you can determine the fluid levels in the fresh water tank, waste water holding tanks, and LP gas tank from the systems monitor panel located on the range hood (refer to the chapter on the waste water system for false tank readings). This panel also includes the monitoring of the charge level of the coach batteries.

## APPLIANCES

Your motorhome is loaded with top-of-the-line, name brand appliances. Operating instructions and specifications for these appliances can be found in your owner's packet. Appliance specifications are also listed on a label located on the inside of the closet door.

## COACH BATTERY SYSTEM

All models of the Chinook motorhome come with a state-of-the-art battery system that includes a Low Voltage Disconnect (LVD) and a "Smart" solenoid. With the LVD, accidental drainage of your coach batteries will be minimized, if not eliminated entirely. With the "Smart" solenoid, you be able to charge your coach batteries as well as your vehicle battery, while eliminating the possibility of accidentally draining your vehicle battery through the coach batteries or vice-versa. Refer to the chapter on the electrical system for more information.

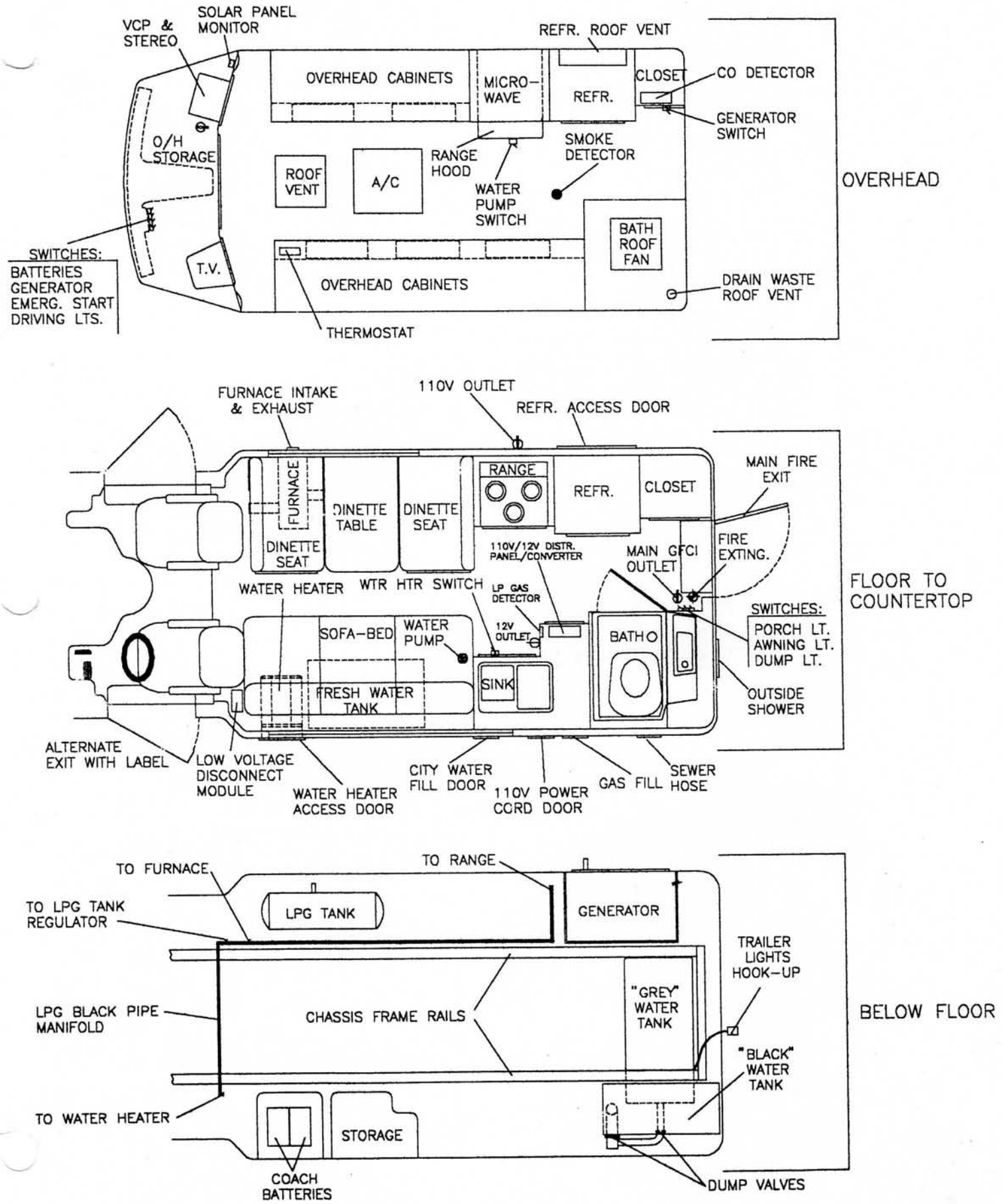
## TOWING PACKAGE

A towing package is included as a standard feature on the Chinook motorhome. This includes the trailer hitch as well as tail light electrical hook-ups. The tail light electrical hook-ups can be found on the extreme rear of the driver's side frame rail (see Figure 2.1, 2.2, or 2.3). Review the section "Loading and Towing" in the next chapter for safe towing procedures.

## CLOCK

The clock in your motorhome is operated off a battery, which should last approximately one year. To reset the clock, simply remove the glass cover over the clock face and move the hands to the desired position and reset the glass cover firmly into place

FIGURE 2.1 CONCOURSE REAR ENTRY DOOR FLOOR PLANS (DINETTE SHOWN)



# FIGURE 2.2 PREMIER REAR ENTRY DOOR FLOOR PLANS (DINETTE SHOWN)

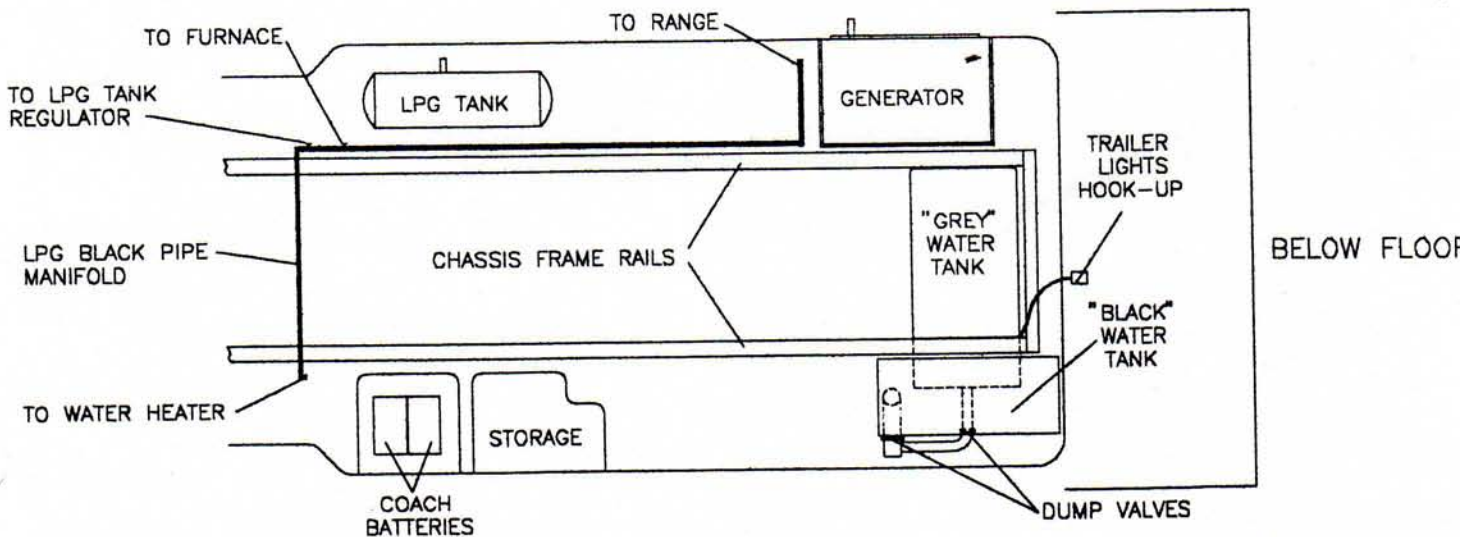
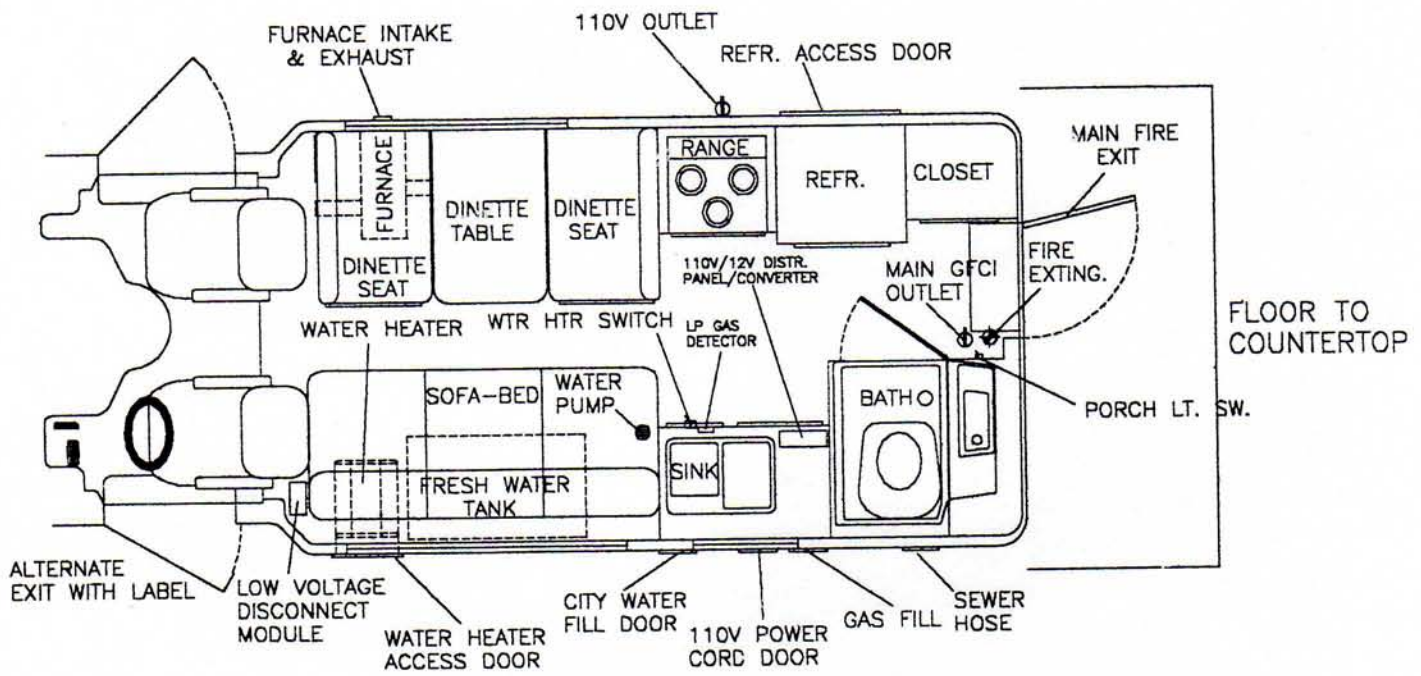
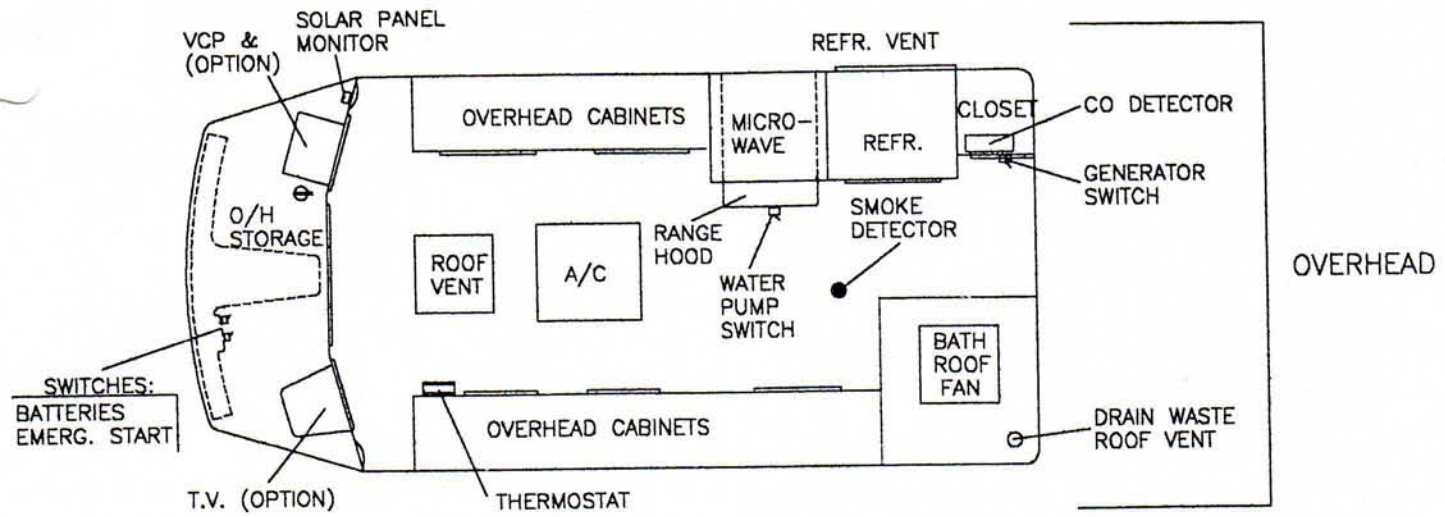
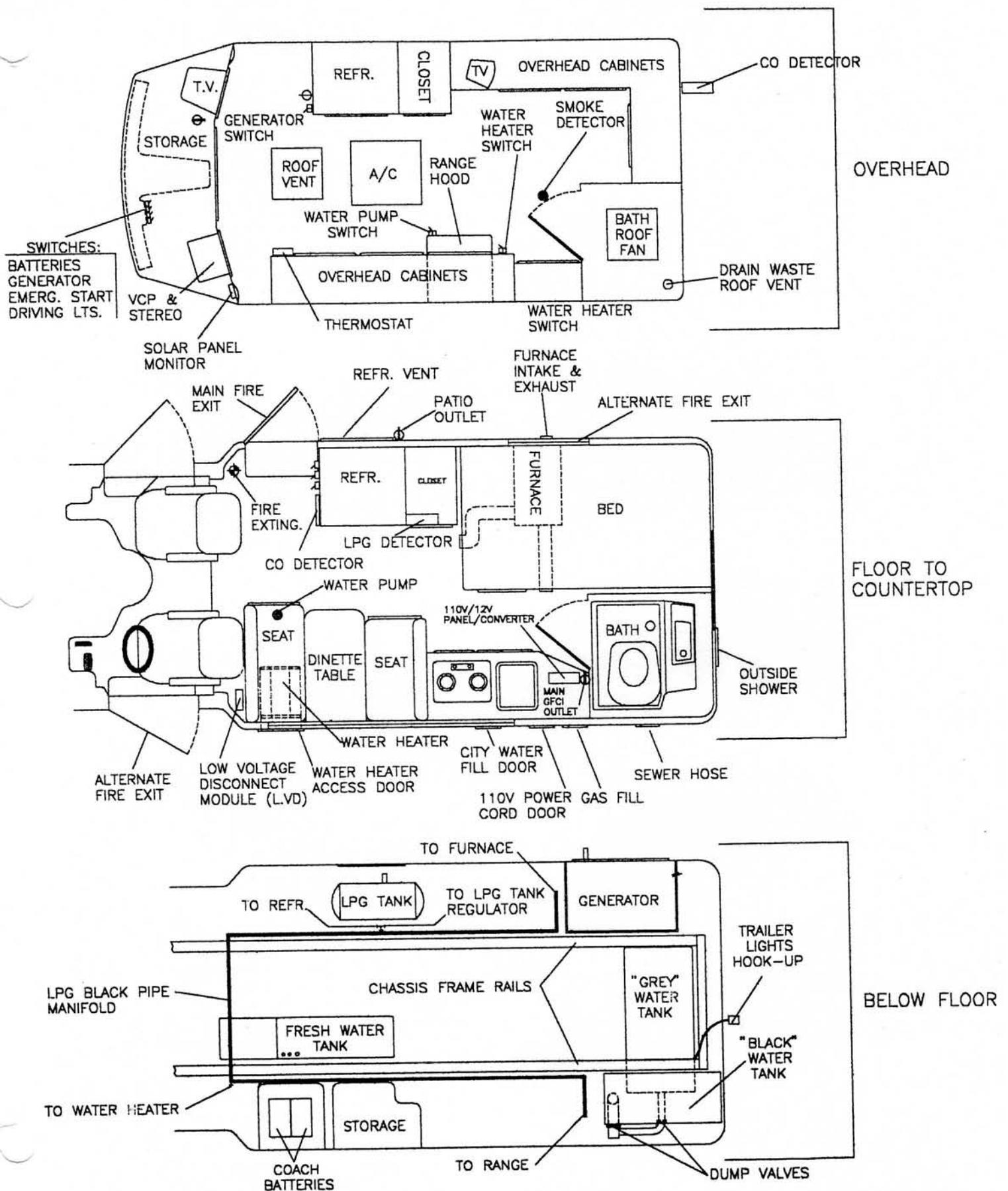


FIGURE 2.3 CONCOURSE SIDE ENTRY DOOR FLOOR PLANS



# FLOOR PLANS & FEATURES

## **SLEEPING ACCOMMODATIONS**

Sleeping accommodations vary from model type and floor plan and may even be unique to your motorhome, if you ordered it with special options. Some special features are noted below.

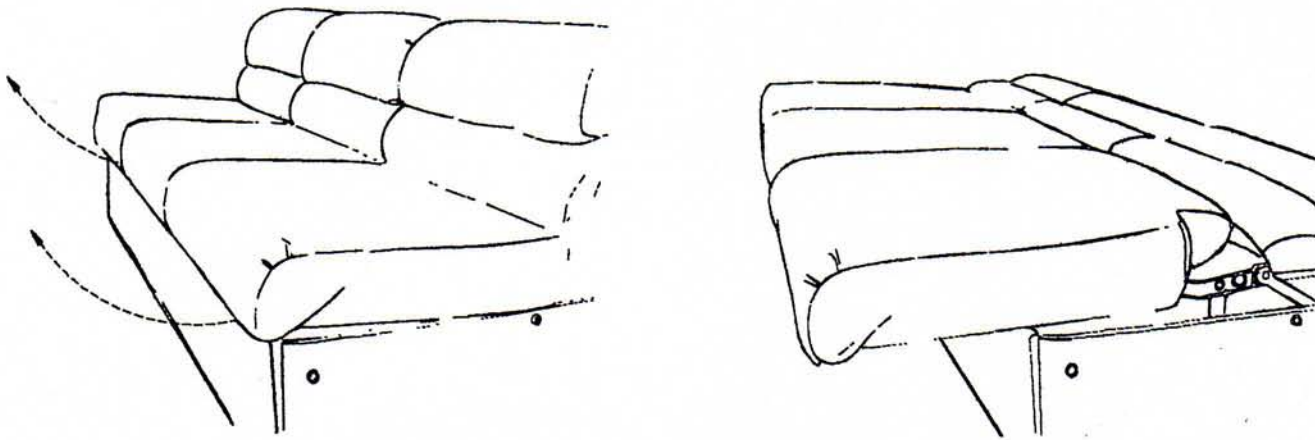
### Sofa-Bed

The sofa-bed is on rear entry models only in the "Club" or "Dinette" floor plans. Folding the sofa-bed out to the sleeping position is a simple operation as shown in Figure 2.4. On Dinette floor plans, the sofa-bed forms a larger bed with the dinette seats and the table in its lowered position.

### Dinette-Bed

The dinettes in both the rear entry and side entry models are designed to convert into beds as shown in Figure 2.5. As noted above, in rear entry models, the dinette can be combined with the sofa-bed to form a single, larger bed.

FIGURE 2.4 SOFA-BED

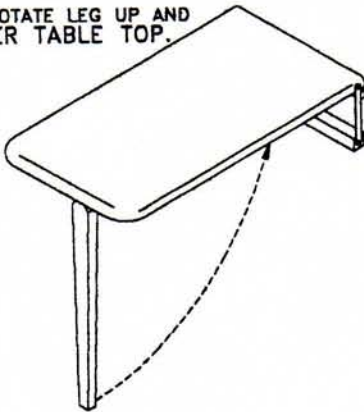


TO CONVERT SOFA-BED TO SLEEPING POSITION PULL UP AND OUT ON FRONT BOTTOM EDGE OF SOFA AS INDICATED BY ARROWS.

FIGURE 2.5 DINETTE-BED

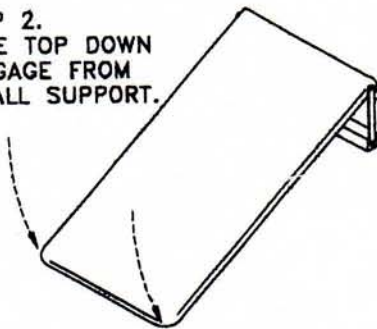
STEP 1.

ROTATE LEG UP AND UNDER TABLE TOP.



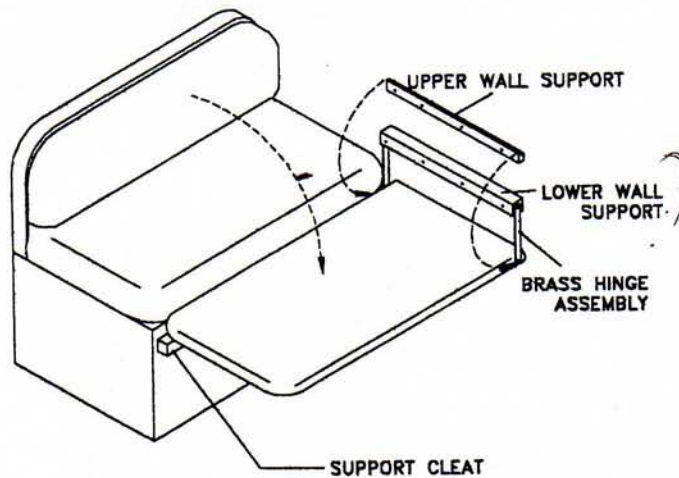
STEP 2.

TILT TABLE TOP DOWN TO DISENGAGE FROM UPPER WALL SUPPORT.



STEP 3.

LOWER TABLE TOP TO SUPPORT CLEATS ON SEATS BY ROTATING BRASS HINGE ASSEMBLY ABOUT LOWER WALL SUPPORT.



STEP 4.

PLACE SEAT BACK CUSHIONS FROM BOTH SEATS ONTO THE TABLE TOP TO FORM A LEVEL SLEEPING SURFACE.

# VEHICLE OPERATION

## PLANNING YOUR TRIP, BEING PREPARED

Planning your trip is an exciting time - and a time when you are likely to forget something important in your last minute rush to get ready.

Being properly prepared is the key to getting the most enjoyment from your motorhome, and that's why we are offering the following suggestions as a guide. Review them before starting out, refer to them when you are on the road, and then note the items you have forgotten so your next trip will be even more fun. Plan your trip carefully. Consult maps and guide books so you will be familiar with road conditions, roadside parks, rest areas and campsites. Be sure that all your equipment is serviced and ready for travel.

Check all of the following:

1. All fluids, including motorhome engine crankcase oil, transmission fluid, power steering fluid, radiator reservoir level, master cylinder brake fluid, electrolyte level of batteries, windshield water reservoir level.
2. Inspect wheel lugs for tightness.
3. Examine all tires for road damage. Inflate to the pressure recommended by the chassis manufacturer, and note that this pressure is for cold tires (see chassis operator's manual).
4. Check oil level in the generator power plant (if installed). Refer to the instructions and the maintenance manual provided by the generator manufacturer for pre-use service requirements. Make sure extra oil and other supplies are provided if the motorhome is to be used for extended periods.
5. Make certain your jack handle and lug wrench are properly stowed and in good working order.
6. Check to see that your 110-volt power cord is stowed in its compartment.
7. Be sure your fire extinguisher is secured and easily accessible.
8. Check to see that such accessories as the plastic sewer hose with fittings and a water supply hose (a garden hose approved for 125 psi service is adequate) are on board.
9. Fill water tank, if required (see section on Chinook water system).
10. Make sure drain line cap and holding tank knife valves are closed and secured.
11. Check all stop lights, running lights and other safety items.
12. Put your Chinook motorhome items in "travel" condition. This means following such common-sense procedures as securing any loose items that could shift while you are traveling. For example, secure refrigerator contents- place lids on containers of liquids - and secure locking latch on refrigerator door. Be sure cabinet contents are secured and doors are tightly closed. Close and lock all exterior doors and windows.
13. Always carry spare fuses of every size used in your vehicle.
14. Adjust side view mirrors for maximum visibility.
15. Fill the fuel tank, using only the fuel recommended in the chassis operator's manual.
16. Fill the LP-gas tank if required.
17. Ensure that the antenna and/or satellite dish is retracted to the travel position.

**WARNING! ALWAYS EXTINGUISH PILOT LIGHTS AND OPEN FLAMES ON APPLIANCES BEFORE FILLING YOUR GASOLINE OR LPG TANK.**

# VEHICLE OPERATION

## LOADING AND TOWING

When loading up your motorhome it is important to observe its various weight limitations to ensure that it handles safely on the road. This includes not only the cargo in the motorhome itself but also any vehicle or trailer that is towed. You should familiarize yourself with the following weight limitations and ensure that they are not exceeded:

**GVWR (Gross Vehicle Weight Rating)** - The maximum permissible weight of the motorhome. The GVWR is equal to or greater than the sum of the Unloaded Vehicle Weight plus the Net Carrying Capacity.

**GAWR (Gross Axle Weight Rating)** - The maximum permissible weight for the front and rear axles. There is a separate GAWR for the front and rear axles.

**UVW (Unloaded Vehicle Weight)** - The weight of this motorhome as built at the factory with full fuel, engine oil, and coolants. The UVW does not include cargo, fresh water, LP gas, occupants, or dealer installed accessories.

**NCC (Net Carrying Capacity)** - The maximum, weight of all occupants including the driver, personal belongings, food, fresh water, LP gas, tools, tongue weight of towed vehicle, dealer installed accessories, etc., that can be carried by this motorhome. (NCC is equal to or less than GVWR minus UVW).

**GCWR (Gross Combination Weight Rating)** means the value specified by the motorhome manufacturer as the maximum allowable loaded weight of this motorhome with its towed trailer or towed vehicle.

The GVWR as well as the front and rear GAWR's are listed on a label located on the driver's side door post. The GVWR is also listed along with the UVW, NCC, and GCWR on a label located on the inside of the closet door. A sample of this label is shown below.

MOTORHOME WEIGHT INFORMATION:		CONSULT OWNER'S MANUAL FOR SPECIFIC WEIGHING INSTRUCTIONS AND TOWING GUIDELINES.	
MODEL		GVWR	
UVW	NCC	GCWR	
THIS MOTORHOME IS CAPABLE OF CARRYING UP TO		GAL.	
OF FRESH WATER (INCLUDING WATER HEATER) FOR A TOTAL OF		LBS.	
REFERENCE: WEIGHT OF FRESH WATER IS 8.33 LBS/GAL			
<b>GVWR</b>	<b>GROSS VEHICLE WEIGHT RATING</b> MEANS THE MAXIMUM PERMISSIBLE WEIGHT OF THIS MOTORHOME. THE GVWR IS EQUAL TO OR GREATER THAN THE SUM OF THE UNLOADED VEHICLE WEIGHT PLUS THE NET CARRYING CAPACITY.		
<b>UVW</b>	<b>UNLOADED VEHICLE WEIGHT</b> MEANS THE WEIGHT OF THIS MOTORHOME AS BUILT AT THE FACTORY WITH FULL FUEL, ENGINE OIL, AND COOLANTS. THE UVW DOES NOT INCLUDE CARGO, FRESH WATER, LP GAS, OCCUPANTS, OR DEALER INSTALLED ACCESSORIES.		
<b>NCC</b>	<b>NET CARRYING CAPACITY</b> MEANS THE MAXIMUM WEIGHT OF ALL OCCUPANTS INCLUDING THE DRIVER, PERSONAL BELONGINGS, FOOD, FRESH WATER, LP GAS, TOOLS, TONGUE WEIGHT OF TOWED VEHICLE, DEALER INSTALLED ACCESSORIES, ETC., THAT CAN BE CARRIED BY THIS MOTORHOME. (NCC IS EQUAL TO OR LESS THAN GVWR MINUS UVW).		
<b>GCWR</b>	<b>GROSS COMBINATION WEIGHT RATING</b> MEANS THE VALUE SPECIFIED BY THE MOTORHOME MANUFACTURER AS THE MAXIMUM ALLOWABLE LOADED WEIGHT OF THIS MOTORHOME WITH ITS TOWED TRAILER OR TOWED VEHICLE.		

CD-126

# VEHICLE OPERATION

**WARNING: Exceeding the cargo weight capacities of your motorhome can cause undesirable handling characteristics and may create a safety hazard. If you modify your motorhome by adding racks not supplied by the manufacturer your warranty may become invalid.**

Just as care should be taken to prevent unsafe loading of the motorhome itself, care should be taken to prevent unsafe towing of trailers. The vehicle owner's manual provided by Ford should be consulted for guidelines on safe towing.

**WARNING: Exceeding the tongue weight capacity of the trailer hitch can cause undesirable handling characteristics and may create a safety hazard.**

If you are in doubt about the load you are carrying, weigh your vehicle (fully loaded with fluids, passengers, cargo, and any vehicle to be towed) at a public scale. An excellent practice when loading your motorhome for a trip is to store heavy articles low and light articles high. In this way you will improve the road handling and stability of your vehicle.

Another reason you should check vehicle weight periodically is to obtain optimum mileage from your tires. You also will find that handling improves when you are within prescribed weight capacities.

## STARTING UP AND READY TO LEAVE

With your preparation and final checkouts all completed, you're ready to leave. However, note the following before leaving :

1. When starting, warming up and operating your engine, you'll get the best results and the performance you want by following the instructions in your chassis operator's manual.
2. Seat belts are a vital safety feature in your Chinook motorhome. All seat belts should be fastened while your motorhome is in motion. **Seats not equipped with belts should not be occupied while the vehicle is in motion.**

## AT LAST, YOU'RE ON THE ROAD!

Once you've become accustomed to the feel of the controls and can accurately gauge distances and the length and width of the vehicle, your Chinook motorhome is like driving your family car. It's easy to handle, maneuver and park. However, be cautious when maneuvering so you allow for the extra length and width of the motorhome. Check your side view mirrors frequently for approaching traffic from the rear.

When on the road, remember that higher speeds may result in a sharp increase in fuel consumption. Always allow for the extra height of your Chinook. It's approximately 9' without roof air conditioning and 9'10 1/2" with it. Avoid low overhead clearance areas such as low roofs at service stations. This is especially important as you drive with the overhead vent open or if you have a roof storage pod or air conditioner. When parking, remember that the rear wheels are wider than the motorhome. Also, when parking on an incline, your front wheels should be turned into the curb in the direction of the roll as an aid to your parking brake.

# VEHICLE OPERATION

## Changing a Tire

See your chassis operator's manual for tire changing instructions. Your fully loaded motorhome is very heavy, and the lug nuts usually are set with a power torque wrench which makes them extremely difficult to remove. Obtain road service (see Ford's service number below) whenever possible, and only attempt to change tires yourself when it is an emergency situation.

## **FORD MOTOR HOME OWNERS SERVICE LOCATOR HOTLINE NUMBER**

**1-800-444-3311**

This service provides 24-hour, 7-day-a-week assistance in contacting a dealership, arranging a service appointment and providing a dealership contact person name. This service can also assist in locating towing service, if needed.

**WARNING: Loosening the rear lug nuts may release both outside and inside wheels. Do not attempt to remove lugs without having your jack in position to absorb the full weight of the motorhome.**

## Fire and Life Safety

Your motorhome is equipped with the following pieces of safety equipment that should be checked prior to your departure:

1. A properly rated fire extinguisher located just inside next to the coach door. Check your extinguisher on a regular basis for proper charge and make sure it is operable.
2. A CO (carbon monoxide) monitor located above the closet door on rear entry door models and on the refrigerator cabinet on side entry door models.
3. An LP gas detector located at the bottom of the galley cabinet on rear entry door models and at the bottom of the closet cabinet on side entry models.
4. A smoke detector located on the ceiling near the bath/toilet cabinet on all models.

## Emergency Exits

The main coach entrance door on the rear or side entry door motorhomes is designated as the main emergency exit. The driver-side door is designated for use as an alternate emergency exit on all models. In addition, the rear window on the passenger side of the side entry door motorhomes is also designated as an alternate emergency exit. These exits should be kept unobstructed and free to open completely.

# VEHICLE OPERATION

## Emergency Start

In the event that the vehicle (chassis) battery is drained, you can tap into the coach batteries with the "Vehicle Boost Start" switch, located above the driver's seat to start the engine. Note that this switch needs to be depressed while simultaneously turning the ignition key on.

## Driving Lights

Note that driving lights, which are an option on some models, are activated only when the headlights are in the high beam position.

# ELECTRICAL SYSTEM

## GENERAL

The electrical system consists of 110VAC and 12VDC appliances supplied by power through a 45 amp converter/distribution panel. 110VAC power is available either through a 110VAC receptacle provided at an RV park or campsite ("shore power") or through the optional generator set. 12V power is available through the converter when plugged into shore power or from two coach batteries. A schematic of the coach power system is shown in Figure 4.1.

## 110V SYSTEM

### Shore Power

The connection to 110V shore power is made through a power cord located on the driver's side towards the rear. To remove the cord, simply open the cover and pull the cord out to the required length (24' is available). When leaving campsite, be sure the cord is removed from the receptacle and stowed in its compartment. Failure to store it properly could result in extensive damage.

**CAUTION: Cord cap adapters should not be used, because this could result in connecting the motorhome to an improperly rated source.**

### Generator Set

The optional generator set is located at the rear passenger side of the motorhome (see Figures 2.1 through 2.3). The manufacturer of this generator has provided complete operating instructions for the unit installed by Chinook. These instructions, contained in the owner information and warranty package, should be read completely before attempting to operate the generator. All models have a generator start switch in the coach, and Concourse models have a second optional generator start switches above the driver's seat.

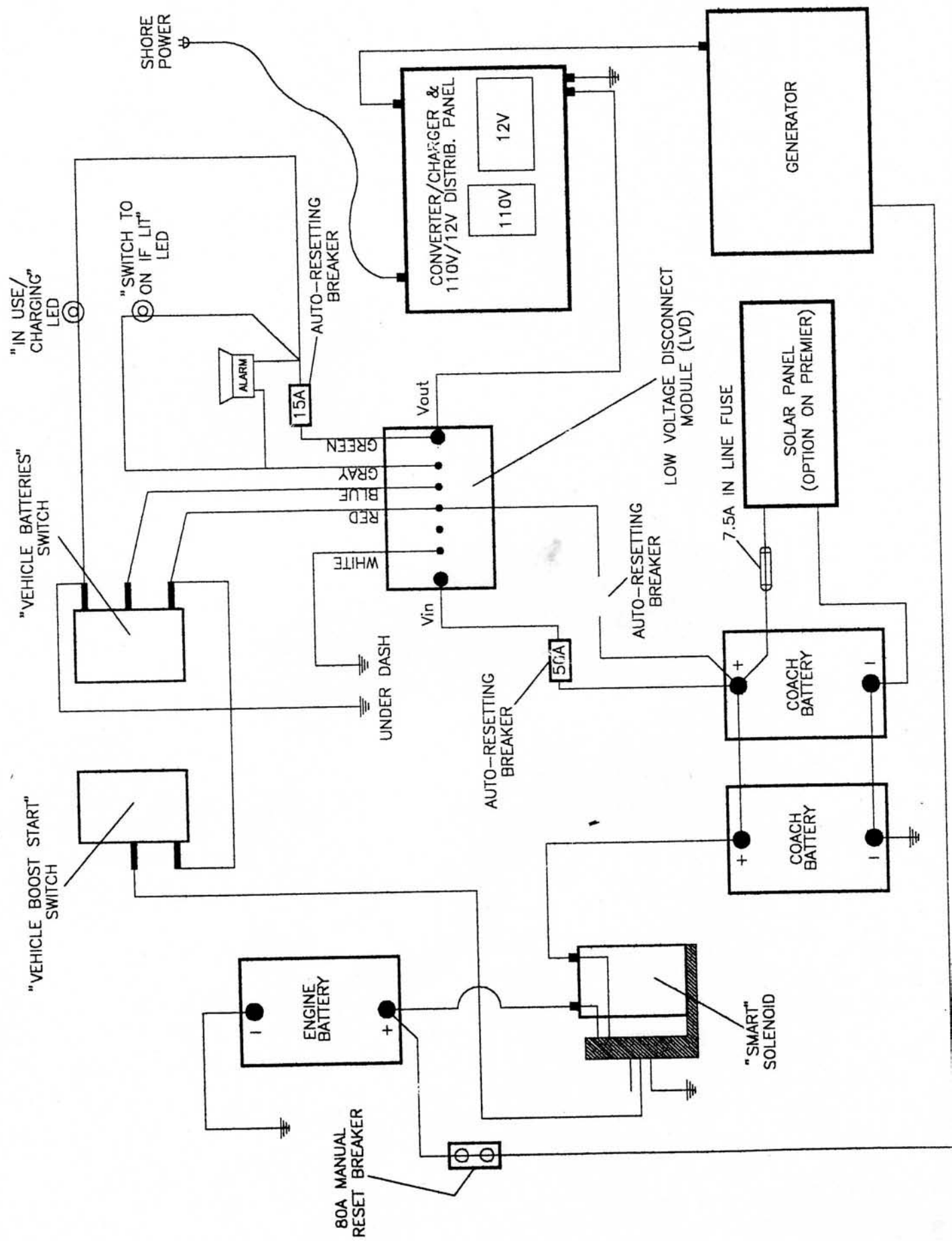
### Breaker Panel

The 110V distribution panel, (which is part of a combination converter, 110V panel and 12V panel), is located under the galley on all Chinook motorhome models. Breakers are used to protect the 110V electrical system. These circuit breakers do not reset automatically and must be turned off, then returned to the "On" position. Continued tripping of the breakers indicates an electrical problem that should be checked by a repairman. Depending on the model, the distribution panel will be as shown in Figure 4.2, 4.3, or 4.4.

### Automatic Transfer Switch

An automatic transfer switch, located within the converter/charger, senses which source of 110V power is in use (shore power or generator) and will switch to that source. However, if both the generator and shore power happen to be on at the same time, the generator will take priority. The owner's manual for the generator should be reviewed for further information.

FIGURE 4.1 COACH ELECTRICAL SYSTEM (ALL MODELS)



# ELECTRICAL SYSTEM

## Appliances

110V power is used to run the following appliances and components (see 110V system schematic as shown in Figures 4.5 and 4.6).

1. Converter
2. Microwave
3. Refrigerator
4. Air Conditioner
5. GFI protected 110V Receptacles for portable appliances
6. Digital Satellite System (DSS) receiver (optional appliance)

**NOTE: The microwave and air conditioner (and optional DSS) will only operate on 110V, while the refrigerator will operate on 110V or 12V power.**

## 12V SYSTEM

Most of the appliances in the Chinook motorhome run off of 12V power. As noted in the previous section, the two exceptions are the microwave and air conditioner, which will run only off of 110V power. 12V power is supplied through the power converter (running off of 110V shore power or the generator) or through two coach batteries. Some auxiliary 12V power is also supplied from the roof mounted solar panel.

### Power Converter

The power converter, (which is part of a combination converter, charger, 110V panel and 12V panel), is required to convert 110V power to 12V power. ). When shore power is available or the generator is turned on, 12V power is supplied through the power converter to all appliances including power to charge the coach batteries. As noted earlier, the power converter is located under the galley on all Chinook motorhome models.

### Fuse Panel

All 12 VDC circuits are protected with properly rated fuses or automatic reset circuit breakers. Three automatic circuit breakers are provided near the coach batteries. If either breaker trips because of a momentary surge, it will reset automatically after the overload is removed. If the breaker continues to trip, however, the system should be checked by a repairman to determine the cause.

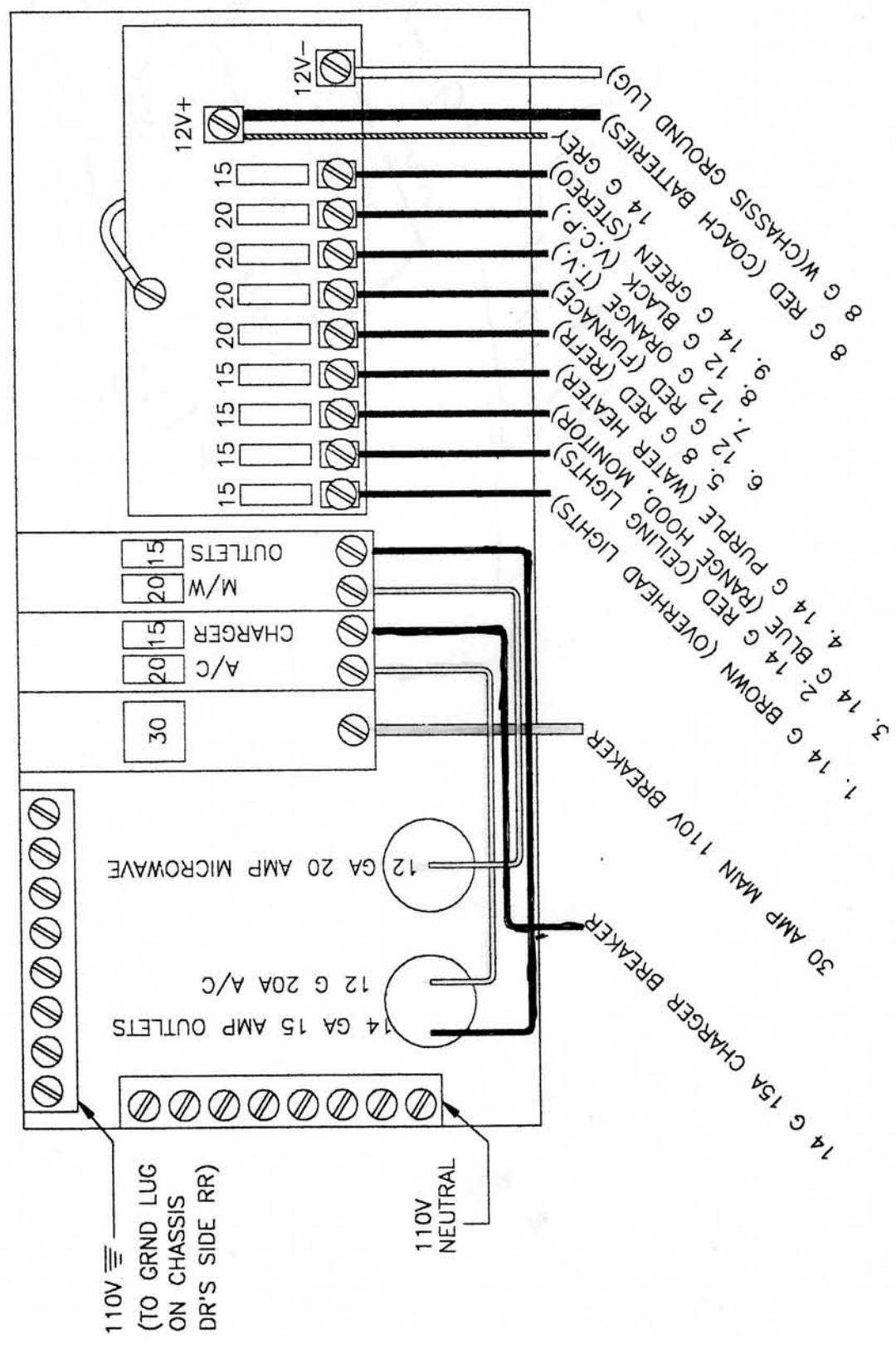
Main 12 VDC converter circuits are protected by fuses located inside the converter

### Coach Batteries

When no shore power is available, 12V power is supplied through two group 27 deep cycle coach batteries. To activate the system (whether or not the engine is running), the "Coach Batteries" switch must be in the "On" position. This switch is located in the switch cluster above the driver's seat.

The coach batteries can be charged through shore power, the optional generator, or through the vehicle alternator, when the engine is running. In order to run the 12V system off of the coach batteries or charge the batteries from 110V power, the "COACH BATTERIES" switch must be in the "ON" position. The green light labeled "IN USE/CHARGING" will be lit when the coach batteries are in use or being charged.

FIGURE 4.2  
110V & 12V DISTRIBUTION PANEL  
(CONCOURSE REAR ENTRY DOOR)



# ELECTRICAL SYSTEM

To insure that no battery power is lost over a long storage period the "COACH BATTERIES" switch should be in the "STORE" position.

When the vehicle engine is running, the coach batteries will be charged through the alternator, regardless of whether the "COACH BATTERIES" switch is in the "ON" or "STORE" positions. Note, that the "Smart" solenoid (located under the hood) prevents the vehicle battery from being drained by the coach 12VDC system. However, should the vehicle battery become drained for some other reason, the vehicle can be started using power from the coach batteries by activating the "VEHICLE BOOST START" switch while simultaneously turning the ignition key on.

**NOTE: If the "COACH BATTERIES" switch is in the "STORE" position when shore power is plugged in, an alarm will be activated and the red light labeled "SWITCH TO ON IF LIT" will be illuminated. In this situation, turn the switch to the "ON" position; the alarm will stop and the red light will turn off. Following this procedure will ensure that the coach batteries are charged when 110VAC power is available.**

## Low Voltage Disconnect

An important feature of the 12V system is the Low Voltage Disconnect (LVD) module. The LVD module, which is located inside the coach behind the driver's seat, serves the following two functions:

- 1) Warns occupants when the coach batteries are low,
- 2) Prevents the batteries from being completely drained, when they have accidentally been left on and no one is in the motorhome.

As the coach batteries are being discharged, the LVD module senses the voltage level. When the voltage level reaches a preset value of 11.5 volts, the LVD activates an audible alarm. This alarm is a signal to the occupant that the LVD module will disconnect the coach batteries from the distribution panel within 60 seconds. The occupant has the choice of letting the LVD disconnect the batteries, or overriding the disconnect procedure by depressing the "COACH BATTERIES" switch momentarily to the "ON" position.

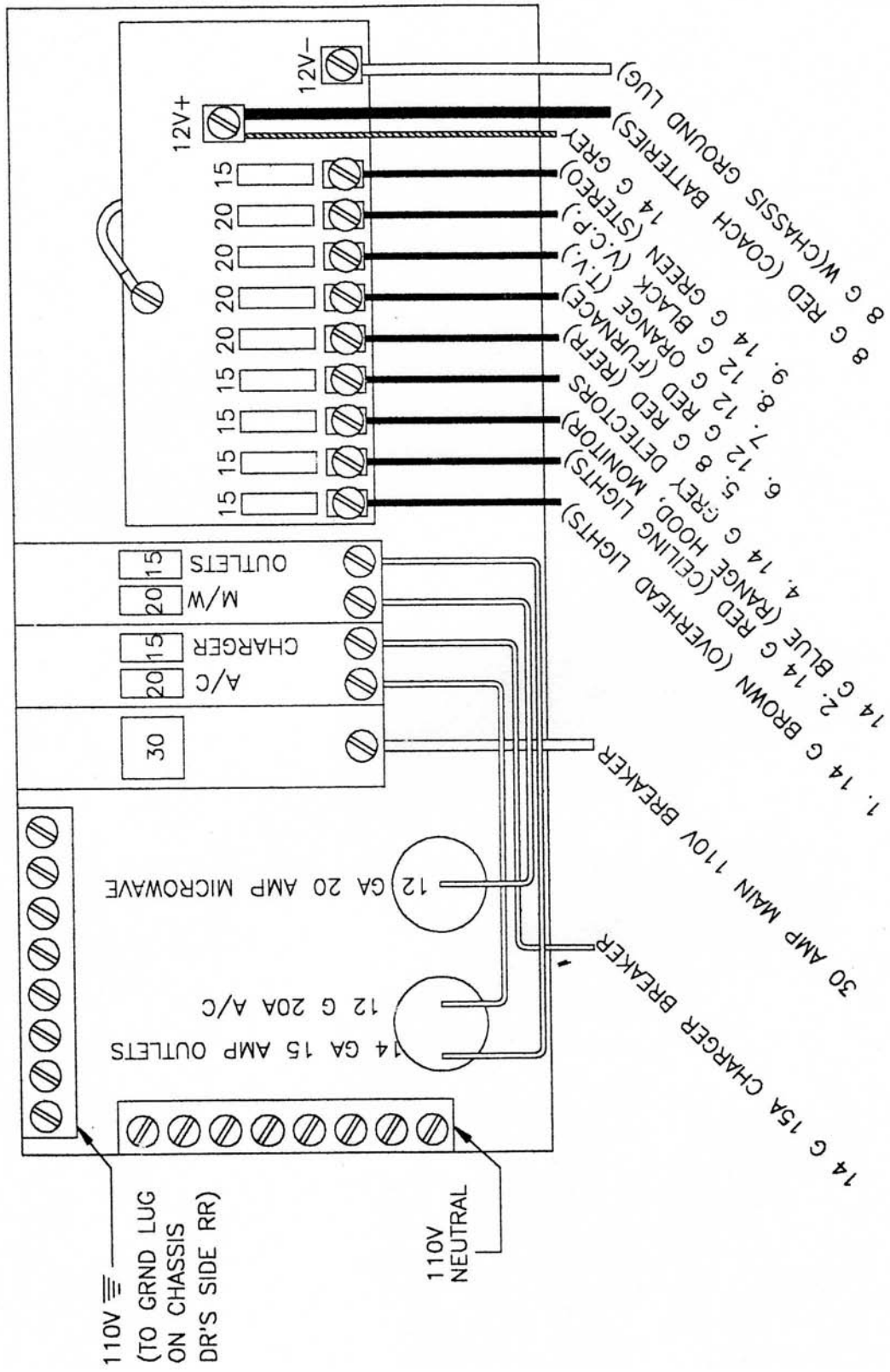
**NOTE: Overriding the LVD will only provide an additional 60 seconds of 12V power, after which the LVD will again disconnect the coach batteries.**

The coach batteries are located in a separate compartment below the water heater and just behind the driver's door. Because these batteries produce hydrogen gas when under a charge, the battery compartment has a vent at the top of the back wall. The compartment also has vent at the bottom in order to drain any liquid leaking from the batteries. Note that this compartment is for the storage of the coach batteries only; storage of other items in this compartment may block the vents or short out the batteries.

Hours of use between charging depends on the current draw (amps) of the appliances in use and the length of time they are used.



FIGURE 4.4  
 110V & 12V DISTRIBUTION PANEL  
 (CONCOURSE SIDE ENTRY DOOR)







# FRESH WATER SYSTEM

## GENERAL

Fresh water is supplied either from the on-board fresh water tank or through a hook-up to municipal water when available at a campsite. The fresh water system, depending on the model, is as shown in Figure 5.1 or 5.2.

## FRESH WATER TANK

In order to draw water from the fresh water tank, the water pump switch must be turned on. The water pump switch is on the monitor panel on the range hood. Once the switch is turned on, the water pump will cycle whenever a faucet is turned on or the toilet is flushed.

**NOTE: The water pump cycles by sensing a drop in water pressure . Normally this occurs only when a faucet is opened or the toilet is flushed. If the water pump cycles at any other time, this may be an indication of a leak in the water lines, which should be checked immediately.**

The fresh water tank is located under the sofa-bed (or twin bed) on the driver's side on rear entry models only. On side entry models, the fresh water tank is located below the floor of the coach.

The fresh water tank on all models is filled through the water tank fill port (largest opening) located next to the city water fill (see Figures 2.1 through 2.3).

The water pump switch should be turned off when the water system is not in use or not hooked up to city water.

## (CITY WATER)

A direct connection may be made to a city water pressure system through an inlet fitting on the driver's side exterior of the motorhome. (When using the city water hookup, it is not necessary to operate the water pump.) The city water inlet fitting contains a pressure regulator limiting the system pressure to 125 psi. This prevents damage to the piping caused by excessively high supply pressures such as those encountered at some campsites.

## WATER HEATER

All models are provided with a hot water heater located behind the driver's seat. As a standard, the water heater on Chinook motorhomes runs off of LP gas only (with electric ignition). A water heater with an additional 110V power supply may be provided as an option. The specifications of the water heater in your motorhome can be found in the operating instructions in your owner's packet.

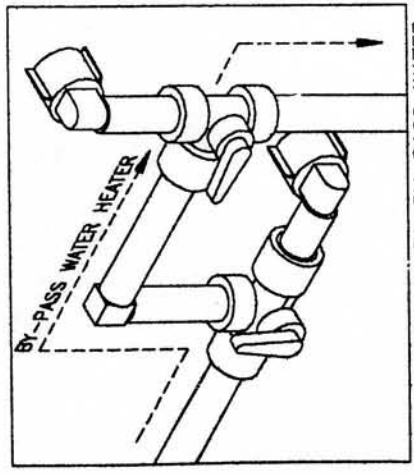
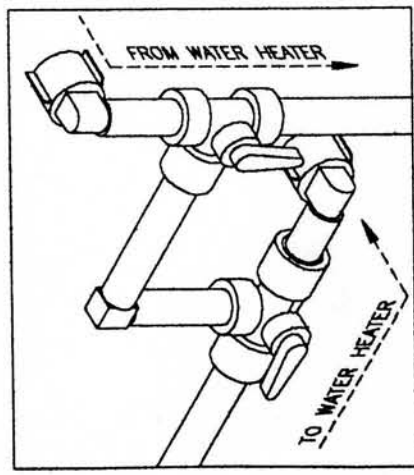
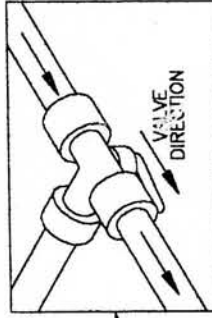
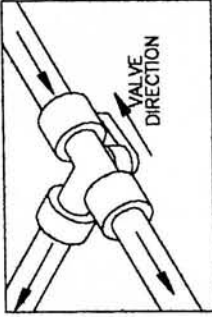
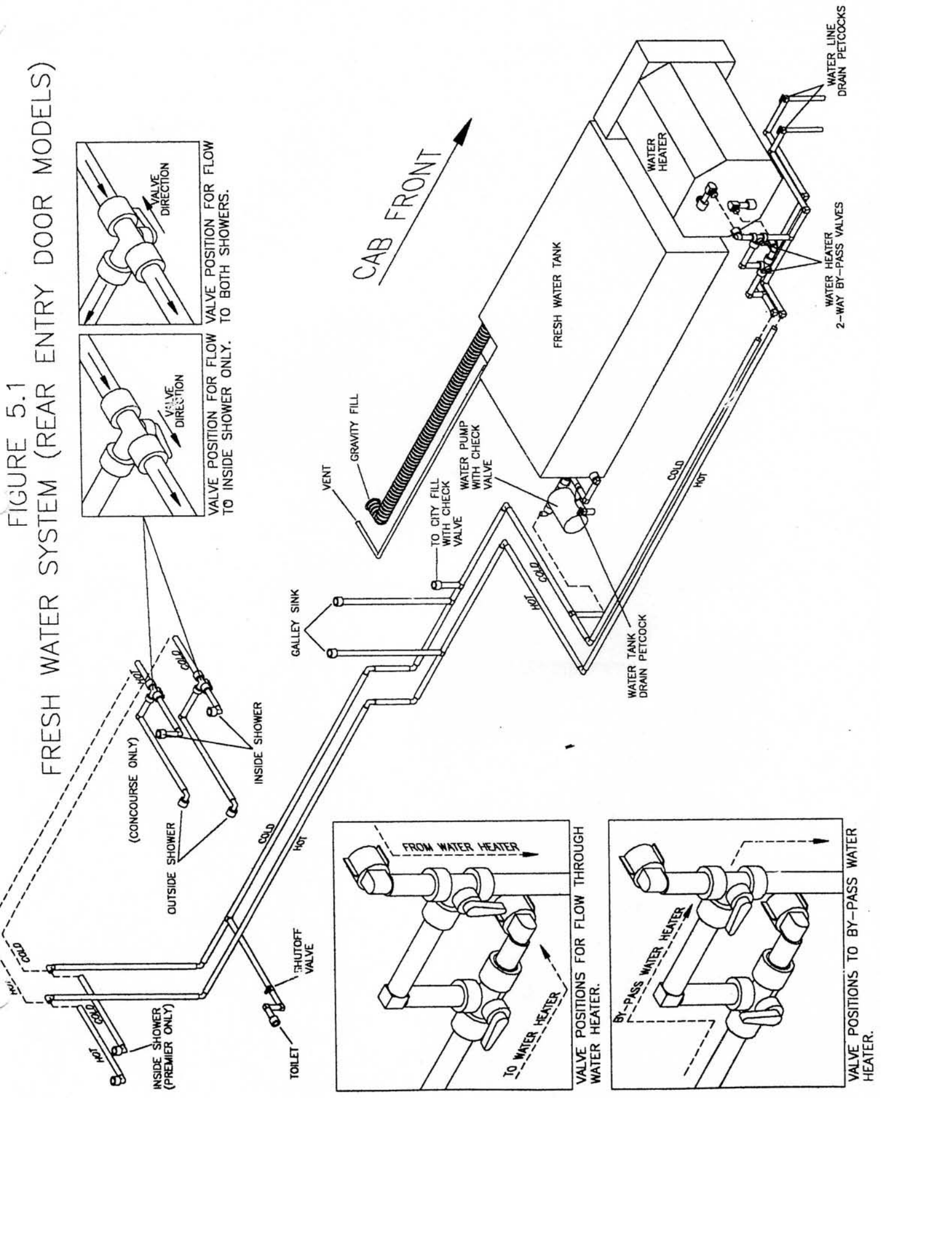
If desired, water to the water heater can be by-passed by changing the positions of the two valves located in front of the water heater. The valve positions for flow through the water heater and for by-passing the water heater are shown in Figures 5.1 or 5.2, depending on the model.

## AUXILIARY SHOWER

As part of the XL package on Concourse rear and side entry models an auxiliary exterior shower located at the rear of the motorhome on the driver's side. The shower head with flexible hose can be removed by opening the access panel located just above the driver's side rear storage door. In order to run the auxiliary shower, two valves (one each for hot and cold) located at the top of the rear storage

FIGURE 5.1

FRESH WATER SYSTEM (REAR ENTRY DOOR MODELS)



# FRESH WATER SYSTEM

compartment need to be properly positioned. Figures 5.1 and 5.2 detail the correct orientation of these valves.

## **DRAINING THE FRESH WATER SYSTEM**

Periodically it is necessary to drain the fresh water system. This is done by opening the water tank drain petcock and the hot and cold line petcocks. On rear entry models, all three petcocks are located inside the coach as shown in Figure 5.1. On side entry models, the water line drain petcocks are inside the coach, while the water tank drain petcock is on the bottom of the tank located below the coach (see Figure 5.2).

If your motorhome is used frequently, you can leave water in the tank. Keep it sweet by adding a teaspoonful of soda to every fourth or fifth tank of water. For long periods of time between use, drain the tank completely except for a teaspoonful of soda and two gallons of water. When you are ready to use the unit again, refill the tank and drain completely, then refill with fresh water.

## **WINTERIZING**

To winterize the fresh water system, first drain the fresh water lines and tank. Next, add a recommended solution to prevent freezing in traps and other water filled cavities in the drainage system only.

**WARNING: Do not use antifreezes other than those recommended for plastic pipe and recreational vehicles.**

**CAUTION (SIDE ENTRY MODELS): Because the fresh water tank on side entry models is located on the exterior of the coach (mounted below the coach floor), it is subject to freezing temperatures. While the insulation covering the tank will prevent the water from freezing under mildly sub-freezing conditions (in the mid 20's degrees F) for two to three days, the water will eventually freeze under prolonged subfreezing conditions.**



# WASTE WATER SYSTEM

## GENERAL

Two water holding tanks are installed on your motorhome. They are located under the coach to the rear of the driver's side as shown in Figure 6.1. The "gray" water waste tank holds waste water from the galley sink, shower sink and shower. The "black" water tank holds waste from the toilet.

## DRAINING THE WASTE HOLDING TANKS

When your holding tanks require emptying, follow these steps:

1. Locate an outlet where they may be drained. This may be a gas station which has septic tank pumping facilities, a trailer park or a supply and service facility. Guidebooks contain these locations.
2. Park next to the inlet where you will dump the waste.
3. Remove the flexible hose from the storage tube under the motorhome. Make sure the drain valves are closed, (T handles all the way in), remove the drainage cap, insert the hose connector and tighten.
4. Insert the opposite end of the hose into the pump tank inlet.
5. Open the valves by pulling the T handles all the way out.
6. When the tanks are empty, close the valves and secure them. The system is now completely drained and ready for use. Periodically flush the system with the water provided at the septic tank facilities.
7. Return the flexible hose to its storage tube and secure the cap.

**NOTE: A false reading from the monitor panel indicating that a holding tank is full even after it has been drained can occur (especially on the "black" water tank). This is usually caused by debris such as tissue paper laying across two or more probes inside the tank resulting in a short. This problem can be remedied by flushing the tank until all debris is cleared from the probes.**

## CLEANING

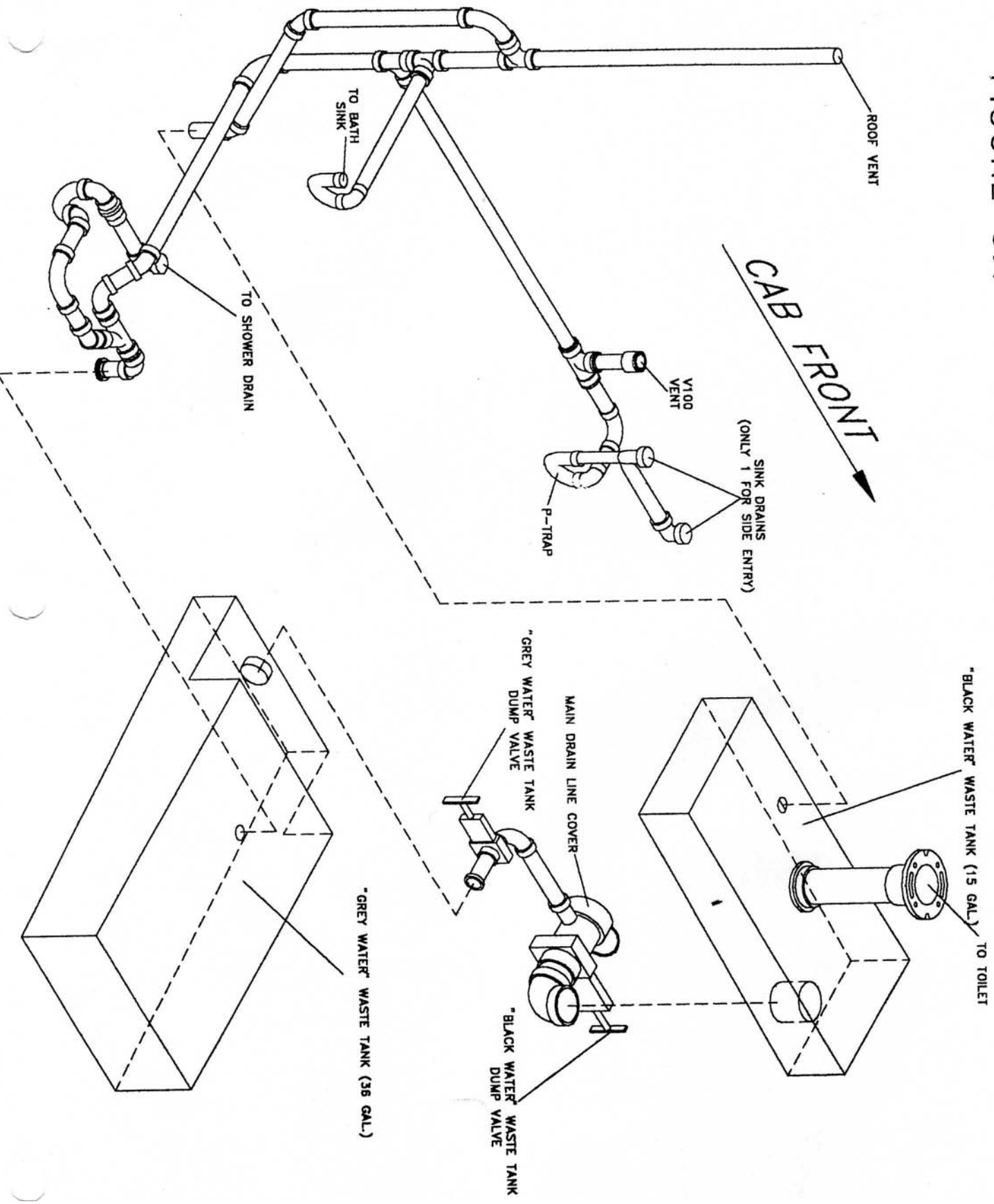
From time to time add a gallon or two of water containing liquid detergent into the holding tanks. The movement of the water and detergent when the vehicle is in motion will clean the tanks. Use of a holding tank deodorant prevents excessive odor from the tanks. Several products are generally available for this purpose.

## WINTERIZING

After draining the waste water tanks, add a recommended solution to prevent freezing in traps and other water filled cavities in the drainage system only.

**WARNING: Do not use antifreezes other than those recommended for plastic pipe and recreational vehicles.**

FIGURE 6.1 WASTE WATER SYSTEM (ALL MODELS)



# LP GAS SYSTEM

## GENERAL

LP-gas is supplied to your appliances from a storage tank located under the motorhome on the passenger side. The high pressure of the storage tank is reduced to appliance operating pressure by a two-stage regulator attached to the main supply valve. LP vapor passes through this regulator to a steel pipe manifold and is then distributed to LP appliances as shown in Figure 7.1 or 7.2, depending on the model.

The following appliances operate on LP-gas:

1. Furnace
2. Water Heater
3. Range/Oven
4. Refrigerator (LP gas is an optional fuel source for the refrigerator, which can also run on 12V or 110V power).
5. Generator as supplied on Diesel models.

To assure safe, trouble-free operation, read the manufacturer operating instructions for each appliance completely before use. Each appliance manual can be found in the owner's packet provided with your motorhome.

## SAFETY

To ensure safe operation of your LP appliances, you should be aware of the following warnings and warning labels :

**WARNING: LP-Gas containers shall not be placed or stored inside the vehicle. LP-Gas containers are equipped with safety devices that relieve excessive pressure by discharging gas to the atmosphere.**

The following warning label has been located in the cooking area to remind the user to provide an adequate supply of fresh air for combustion:

**WARNING: IT IS NOT SAFE TO USE COOKING  
APPLIANCES FOR COMFORT HEATING**

Cooking appliances need fresh air for safe operation. Before operation:

- 1 Open the overhead vent or turn on the exhaust fan, and
2. Open a window.

Unlike homes, the amount of oxygen supply is limited due to the size of the recreational vehicle, and proper ventilation when using the cooking appliance(s) will avoid dangers of asphyxiation. It is especially important that cooking appliances not be used for comfort heating as the danger of asphyxiation is greater when the appliance is used for long periods of time.

# LP GAS SYSTEM

Unlike natural gas used in homes, LP-gas is heavier than air. This means that if a leak should occur in the system the escaping gas will seek the lowest level in a contained area. Simply opening windows will not lessen the danger of explosion. If a leak is suspected, be sure to open all windows, doors, cupboards and drawers to allow any accumulated gas to flow to the exterior -.

A warning label has been located near the LP-Gas container- This label reads:

**DO NOT FILL CONTAINER(S) TO MORE THAN**

**80 PERCENT OF CAPACITY**

Overfilling the LP-Gas container can result in uncontrolled gas flow, which can cause fire or explosion. A properly filled container will contain approximately 80 percent of its volume as liquid LP-Gas.

**WARNING: Do not use fuel-burning equipment, including wood and charcoal grills and stoves inside the motorhome. The use of this equipment inside the motorhome may cause fires or asphyxiation.**

**WARNING: Do not bring or store LP-Gas containers, gasoline, or other flammable liquids inside the vehicle because a fire or explosion may result.**

The following label has been placed in the vehicle near the range area:

## **IF YOU SMELL GAS:**

- 1. Extinguish any open flames, pilot lights, and all smoking materials.**
- 2. Do not touch electrical switches.**
- 3. Shut off the gas supply at the tank valve(s) or gas supply, connection.**
- 4. Open doors and other ventilating openings.**
- 5. Leave the area until odor clears.**
- 6. Have the gas system checked and leakage source corrected before using again.**

LP-Gas regulators must always be installed with the diaphragm vent facing downward. Regulators that are not in compartments have been equipped with a protective cover. Make sure that regulator vent faces downward and that cover is kept in place to minimize vent blockage that could result in excessive gas pressure causing fire or explosion.

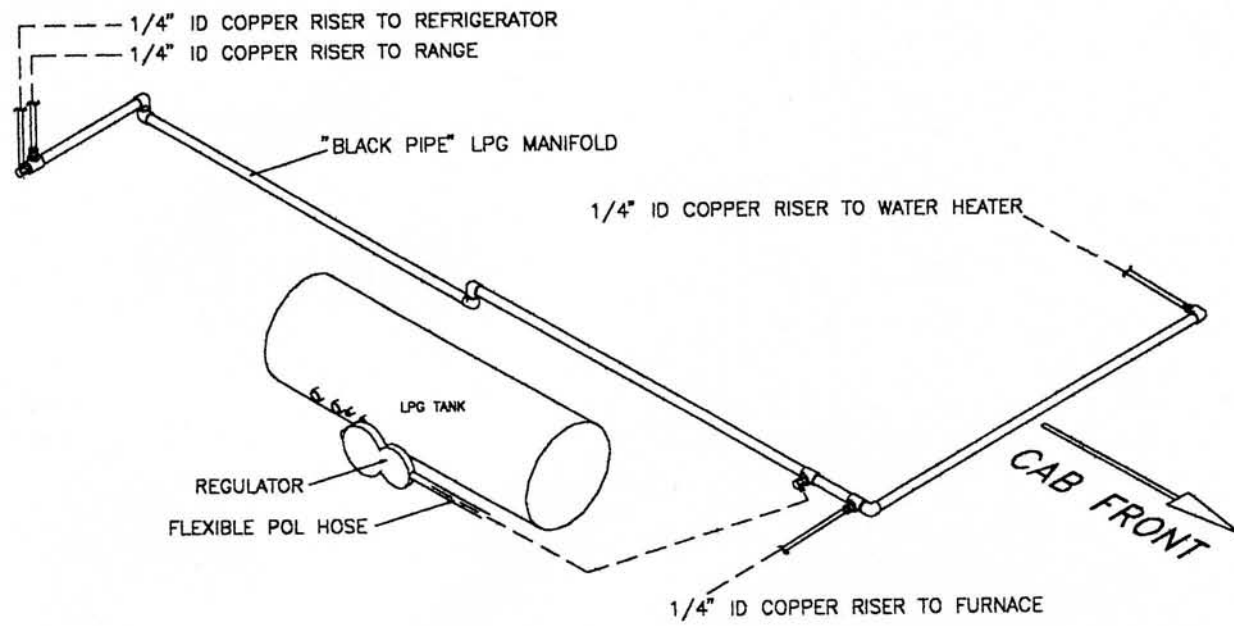


FIGURE 7.1 LP GAS SYSTEM (REAR ENTRY DOOR MODELS)

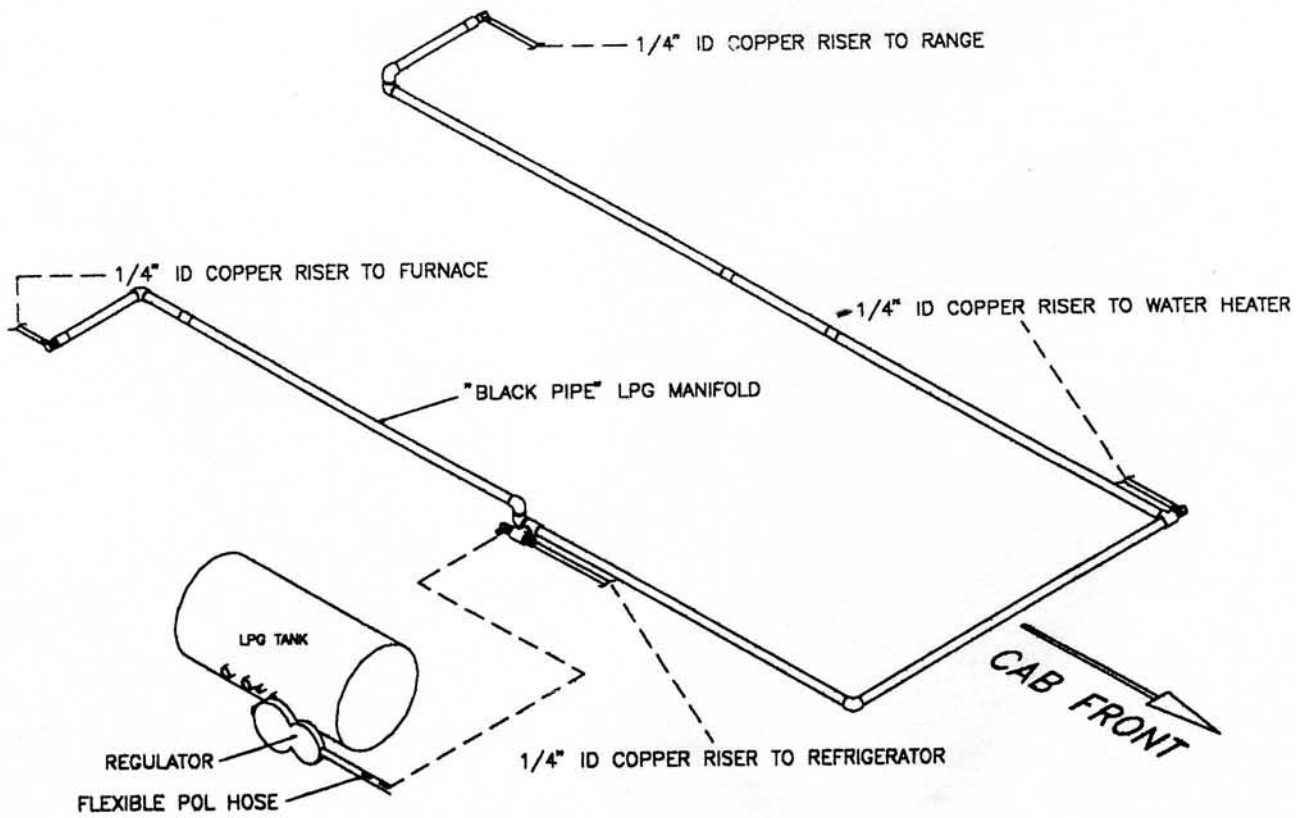


FIGURE 7.2 LP GAS SYSTEM (SIDE ENTRY DOOR MODELS)

# LP GAS SYSTEM

## OPERATION AND MAINTENANCE

Below are some additional procedures you should follow in the operation and maintenance of the LPG system:

1. Familiarize yourself with the distinctive odor of LP-gas.
2. Check the entire system for possible leaks and missing or damaged parts before and after each trip, when filling the storage tank and any time you suspect trouble. Your Chinook motorhome is designed so all joints and connections in its LP-gas system are accessible for inspection. You should check these connections periodically by brushing a solution of water and liquid detergent on the fittings under pressure and watching for bubbles - an indication of escaping gas.

### **WARNING: DO NOT USE A LIGHTED MATCH OR SIMILAR DEVICE TO DETECT LP-GAS LEAKS.**

3. If a leak is suspected, immediately turn off the main service valve on the tank and ask your LP-gas dealer to check the system.
4. In an emergency, the tank service valve must be readily accessible. Never attach a lock or device requiring a key, special tools or knowledge to open or close this valve.
5. When the LP-gas system is not in use, turn off the gas supply at the tank.
6. Never use a wrench to tighten the tank service valve. It is designed to be closed leak tight by hand. If a wrench is required to close or open the valve,, it must be repaired or replaced.
7. Read and observe the tank manufacturer's instructions. They will explain the operation of all tank controls.
8. Do not tamper with LP-gas piping system, pressure regulator or appliances. Exercise caution when drilling holes or attaching objects to walls or floor area.
9. Be sure appliance, plumbing and outside vents are free of obstructions when operating any LP-gas appliance.
10. **THE LP-GAS TANK SHOULD BE FILLED ONLY BY QUALIFIED PERSONNEL AT AN LP-GAS DEALER SERVICE STATION. NOTE THAT THE LP-GAS TANKS ARE INITIALLY PRESSURIZED WITH AIR WHICH MUST BE BLED OFF BEFORE THE TANK CAN BE FILLED.**

# MAINTENANCE

## GENERAL MAINTENANCE

### Exterior Care

Care for the exterior of your motorhome as you would for an automobile or boat finish. The Chinook surface may be cleaned using car shampoo, mild detergents or household cleaners - but be sure to check the list which follows. Strong soaps and abrasive cleaners should not be used. Dirt or grime that has been ground into surfaces is easily removed with a good quality rubbing or polishing compound. Rinse well after washing.

**CAUTION: DO NOT USE GASOLINE OR PAINT THINNERS TO REMOVE TAR - THEY SOFTEN PAINT. USE A SPECIAL TAR REMOVER AND RINSE WELL WITH CLEAR WATER.**

The fiberglass and enamel surfaces may be waxed at any time, require no special methods, and do not rust or corrode. You do not have to wax before traveling to the ocean. Only metal surfaces are subject to salt air corrosion, so waxing them before driving to the seashore will improve their resistance. Wash the surface before waxing with automotive or household waxes. A paste wax provides the best protection from abrasion and minor scratches because dirt slides readily from a well-waxed surface. The fiberglass becomes slightly dull or faded after long exposure to weather. You can easily restore it to its original luster and gloss by cleaning with a good rubbing compound and then waxing. The exterior color key trim should be cared for as described above. Do not use gasoline or solvents. Clean with mild detergents and then wax to remove luster.

Not Recommended-

1. Gasoline
2. Carbon tetrachloride
3. Lestoil
4. Pine-sol
5. Lyso!
6. Abrasives (cleaners)
7. Paint thinners or solvents containing aromatic and halogenated hydro-carbons (ketones, benzene, toluene, perchlorthylene).

### Interior Care

For wood surfaces the same care and cleaning methods used in your home should be used in your motorhome. Strong soaps and abrasives should not be used, but cleaners containing small amounts of ammonia may be suitable. Cabinet fronts need very little care. Treat them as you would any fine piece of furniture in your home. The shower stall of your unit is constructed of rugged fiberglass. The finish will not chip or crack, but it can be cut or scratched. In the event that it is cut or scratched, use a good grade of rubbing or polishing compound. The color is cast into the fiberglass and will not fade. Never use steel wool or abrasive cleaners on your fiberglass - you simply add serious scratches by doing so. Your floor is covered with top-grade carpeting. Maintain it exactly as you maintain your carpets at home. The upholstery in your Chinook motorhome is a fine quality material and should be treated accordingly

## PREVENTIVE MAINTENANCE

### Some Things to Check

Your privacy blinds will retain their color and beauty with occasional cleaning. You may order extra sets from your dealer. You should make a general maintenance inspection of your motorhome periodically. Non-drying caulking compounds, available in tubes, may be used to seal around moldings and seams. These compounds are compatible with fiberglass and aluminum surfaces. Epoxy-resin patch kits, also available in tube form, may be used to fill any small cracks or holes in the fiberglass. Patch and fiberglass care kits are available at most boat shops and marinas. It is recommended that all chassis bolts be checked once a year for tightness to prevent rattles resulting from vibration. If the exterior of your motorhome is punctured, immediately cover the puncture with a piece of waterproof material and tape. This will prevent moisture from getting through and damaging the interior. Keep the puncture patched in this manner until your dealer can repair it or refer you to a qualified service facility.

### Roof Inspection

Take care of your roof. Sealing around stacks and vents should be accomplished using non-drying caulking compounds. Hot summer sun can dry out caulking, and pronounced temperature changes can cause varying degrees of expansion and contraction with various materials used in your roof and its components. These conditions may cause leaks, which is why you should inspect the sealants around the vents and other components regularly. By catching a problem in its early stages you can avoid serious repairs in the future.

# SPECIFICATIONS

	PREMIER LT REAR DOOR ENTRY	CONCOURSE XL REAR DOOR ENTRY	CONCOURSE XL SIDE DOOR ENTRY
EXTERIOR HEIGHT	9' 10 1/2" (w. AC)	9' 10 1/2" (w. AC)	9' 10 1/2" (w. AC)
INTERIOR HEIGHT	6' 3"	6' 3"	6' 3"
EXTERIOR WIDTH	7' 7 1/2"	7' 7 1/2"	7' 7 1/2"
LENGTH	21' 4"	21' 4"	21' 4"
WEIGHT (DRY)	8750 lb.	9100 lb.	9060 lb.
WEIGHT (WET)	9094 lb.	9463 lb.	9504 lb.
GVWR*	10,500 lb.	10,500 lb.	10,500 lb.
GCWR**	18,500 lb.	18,500 lb.	18,500 lb.

\*GROSS VEHICLE WEIGHT RATING - TOTAL ALLOWABLE WEIGHT OF MOTORHOME INCLUDING ALL FLUIDS, PASSENGERS, AND CARGO

\*\* GROSS COMBINED WEIGHT RATING - TOTAL ALLOWABLE COMBINED WEIGHT OF MOTORHOME AND TRAILER

FEATURE	PREMIER REAR DOOR ENTRY	CONCOURSE REAR DOOR ENTRY	CONCOURSE SIDE DOOR ENTRY
GASOLINE TANK	37 GAL	37 GAL	37 GAL
FRESH WATER TANK	36 GAL	36 GAL	32 GAL
WATER HEATER	6 GAL	6 GAL	6 GAL
GRAY WATER TANK	36 GAL	36 GAL	36 GAL
BLACK WATER TANK	15 GAL	15 GAL	15 GAL
REFRIGERATOR	4 CU FT	6 CU FT	6 CU FT
FURNACE	12,000 BTU/HR	16,000 BTU/HR	16,000 BTU/HR
RANGE	2-BURNER COOKTOP	3-BURNER COOKTOP	2-BURNER COOKTOP
LIGHTING	12/110V SYSTEMS	12/110V SYSTEMS	12/110V SYSTEMS
CONVERTER	45 AMP	45 AMP	45 AMP
TWIN BED	72"X32"	72"X32"	NOT AVAILABLE
SOFA SLEEPER	72"X48"	72"X48"	NOT AVAILABLE
DINETTE	68 1/2"X84"	68 1/2"X84"	55 1/2"X32"
FULL SIZE BED	NOT AVAILABLE	NOT AVAILABLE	75"X46"

**SPECIFICATIONS SUBJECT TO CHANGE WITHOUT NOTICE**

The Sports Car Of Motorhomes

# CHINOOK

Quality Proven • A Division Of **TRAIL WAGONS** • Yakima, Washington



FEATURING  
*Concourse*  
&  
*Premier*

**MOTORHOMES**

By **CHINOOK**

Floor Plans  
& Specifications

# 1998 CONCOURSE/CONCOURSE SE SPECIFICATION LIST STANDARD FEATURES

## FORD CHASSIS:

6.8 Liter Triton V-10 fuel injected engine  
4 speed automatic transmission w/ overdrive  
Power steering  
4-wheel antilock brakes  
Dual rear wheels  
Tilt wheel/cruise control  
Power windows  
Power door locks  
Heavy-duty 130 Amp alternator  
In dash air conditioner  
37 gallon fuel tank w/ locking filler door  
Driver & Passenger side airbags  
Engine block heater  
4.10 limited slip rear axle  
AM/FM cassette stereo  
138" wheel base-provides excellent driving  
Full frame chassis  
Twin I beam front suspension system  
3 year/36,000 mile bumper to bumper warranty  
24 hour roadside assistance  
Lt 225-75 R16 E rated all season radial tires

## EXTERIOR BODY:

One-piece fiberglass body, fully reinforced  
Arctic foam insulation  
Double laminated fiberglass inner roof liner w/ foam insulation  
Extra large, solar reflective, safety glass slider windows w/ screens  
Swing down spare tire carrier w/ continental kit  
Side & rear lockable outside storage compartments  
Exterior base coat, clear coat, 2 color custom paint graphics  
Entrance door w/ window, screen door, deadbolt lock  
Chrome rear step bumper  
Sewer hose storage compartment with 10' hose  
Roof rack & ladder  
Rear & side porch lights  
Lighted dump valve  
Insulated solid floor laminated to body  
Limited lifetime warranty on Chinook fiberglass body  
Exterior cable tv/telephone jack  
Pre-wired for digital satellite system  
Powder coated exterior brackets  
Stainless steel wheel covers

## HEATING, COOLING, POWER & WATER SYSTEMS:

5-Way systems monitoring panel  
32 gal. fresh water tank  
Pressurized city water hookup  
19 gal. LPG frame mount tank (12-gal. on SE)  
Pre-wired for roof air  
2-Heavy duty deep cycle auxiliary battery system, 200/ amperes of 12V power  
Deluxe slide-out battery tray  
6-gallon hot water heater  
Exterior G.F.C.I. receptacle  
Power "Fantastic" roof vent w/ thermostat  
16,000 BTU furnace w/ auto-ignition  
23 ft. service cord  
Water pump  
Dual holding tanks/35 gal gray/15 gal black  
120V/12V power center, 45 AMP converter/charger w/ automatic transfer switch  
Auxiliary battery disconnect switch  
Bidirectional charging system  
Low voltage coach disconnect w/ audible alarm  
Emergency start switch

## BATHROOM:

Fiberglass shower wet bath  
Medicine cabinet  
Vanity sink with counters  
Marine style china toilet  
Power vent w/ light

Toilet paper holder  
Towel rack  
Water saver shower head  
Shower curtain  
Floor mat  
2 Robe hooks on bath door

## COMFORT & LIVABILITY:

Deluxe reclining driver & passenger captain chairs  
Wall to wall carpet w/ rebound pad including driver compartment  
Cab area privacy drape/rear door drape  
Day/night fabric shades  
Decorative valances w/ indirect lighting  
Sofa sleeper w/ under bed storage  
Deluxe oak cabinetry w/ raised panel doors  
Overhead florescent lighting  
Lighted interior cabinets

## CONVENIENCE & SAFETY:

Lighted entrance grab handle  
12V vacuum  
Dead bolt lock  
Fire extinguisher  
Smoke detector  
CO detector  
LPG gas detector  
Oak magazine rack  
Mag light flash light  
Coke opener  
Towel racks with towel  
Coat hooks - 3 DBL, 1 inside closet  
Cedar clothes hangers  
Molded fiberglass overhead console with switch cluster  
Paper towel holder  
Note pad holder  
2 bottle wine rack w/ opener (Club Lounge only)  
Night light

## KITCHEN FEATURES:

3-way (110/12 V/LPG) double door 6' flush mount refrigerator  
3 burner range w/ cover  
2 burner on SE floor plan  
Power range hood w/ light & fan  
Double bowl stainless steel sink w/ covers  
Single bowl on SE floor plan  
Metal single handle faucet  
Oak cutting board  
Oak drawers with deluxe roller slides  
Spice rack  
Tipout sink storage

## HEIGHTS WEIGHTS & DIMENSIONS:

Exterior length	21'
Exterior width	7'7"
Exterior height	9'3"
w/ roof air	9'11"
Gross vehicle wt.	10,700
Dry weight*	8,800
Wet weight*	9,500
Gross comb. wt.	
veh. & trlr. comb.	18,700
Wheel base	138"
Bed dimensions	
Sofa sleeper	72" x 50"
Dinette	70" x 36"
Sleeper/dinette combo	72" x 84"
Twin beds	72" x 32"
SE rear bed	75" x 47"
SE dinette/twin	70" x 32"

\*Weights listed are approximate and may vary by floor plan and equipment. Listed values include: XL pkg, Roof air & generator.

CHINOOK  
Concourse

## 1998 PREMIER SPECIFICATION LIST STANDARD FEATURES

### FORD CHASSIS:

6.8 Liter Triton V-10 fuel injected engine  
4 speed automatic transmission w/ overdrive  
Power steering  
4-wheel antilock brakes  
Dual rear wheels  
Power windows  
Power door locks  
Tilt wheel/cruise control  
Heavy-duty 130 Amp alternator  
In dash air conditioner  
37 gallon fuel tank w/ locking filler door  
Driver & Passenger side airbags  
Engine block heater  
4.10 limited slip rear axle  
AM/FM cassette stereo  
138" wheel base-provides excellent driving  
Full frame chassis  
Twin I beam front suspension system  
3 year/36,000 mile bumper to bumper warranty  
24 hour roadside assistance  
Lt 225-75 R16  
E rated all season radial tires

### EXTERIOR BODY:

One-piece fiberglass body, fully reinforced  
Arctic foam insulation  
Double laminated fiberglass inner roof liner w/ foam insulation  
Large, tinted, slider windows w/ screens  
Swing down spare tire carrier w/ continental kit  
Side & rear lockable outside storage compartments  
Exterior graphic accents  
Entrance door w/ window, screen door deadbolt lock  
Rear step bumper powder coated  
Sewer hose storage compartment  
Roof rack & ladder  
Insulated solid floor laminated to body  
Limited lifetime warranty on Chinook fiberglass body  
Exterior cable tv jack  
Powder coated exterior brackets  
Stainless steel wheel covers  
Aluminum running boards

### HEATING, COOLING, POWER & WATER SYSTEMS:

5-Way systems monitoring panel  
32 gal. fresh water tank  
Pressurized city water hookup  
19 gal. LPG frame mount tank  
Pre-wired for roof air  
2-Heavy duty deep cycle auxiliary battery system 200/ amperes of 12V power  
6-gallon hot water heater  
Exterior G.F.C.I. receptacle  
Power roof vent  
12,000 BTU furnace w/ auto-ignition  
23 ft. service cord  
Water pump  
Dual holding tanks/35 gal gray/15 gal black  
120V/12V power center, 45 AMP converter/charger w/ automatic transfer switch  
Auxiliary battery disconnect switch  
Bidirectional charging system  
Low voltage disconnect w/ audible alarm  
Emergency start switch

### BATHROOM:

Fiberglass shower wet bath  
Medicine cabinet  
Vanity sink with counter  
Marine style toilet  
Toilet paper holder  
Power vent w/ light

Towel rack  
Water saver shower head  
Shower curtain  
Floor mat  
2 robe hooks on bath door

### COMFORT & LIVABILITY:

Deluxe reclining driver & passenger captain chairs  
Wall to wall carpet w/ rebond pad including driver compartment  
Cab area privacy drape/rear door drape  
Day/night fabric shades  
Sofa sleeper w/ under bed storage  
Deluxe oak framed cabinetry  
Overhead lighting

### CONVENIENCE & SAFETY:

Entrance grab handle  
Dead bolt lock  
Fire extinguisher  
Smoke detector  
CO detector  
LPG gas detector  
Oak magazine rack  
Mag light flash light  
Coke opener  
Towel racks w/ towel  
Coat hooks - 3 DBL, 1 inside closet  
Cedar clothes hangers  
Molded fiberglass overhead console with switch cluster  
Paper towel holder  
Note pad holder  
Night light

### KITCHEN FEATURES:

3-way (110/12 V/LPG) double door 4.5' flush mount refrigerator  
2 burner range  
Power range hood w/ light & fan  
Double bowl stainless steel sink w/ cover  
Double handle faucet  
Pull out drawers  
Tipout sink panel

### HEIGHTS WEIGHTS & DIMENSIONS:

Exterior length	21'
Exterior width	77"
Exterior height	9'3"
w/roof air	9'11"
Gross vehicle wt.	10,500
Dry weight*	8,400
Wet weight*	9,100
Gross comb. wt.	
veh. & trlr. comb.	18,500
Wheel base	138"
Bed dimensions	
Sofa sleeper	72" x 50"
Dinette	70" x 36"
Sleeper/dinette combo	72" x 84"
Twin beds	72" x 32"

\*Weights listed are approximate and may vary by floor plan and equipment. Listed values include: LT options group, Roof air & generator.

**CHINOOK**  
*Premier*

# Concourse Floor Plans & Specifications.

## XL PACKAGE

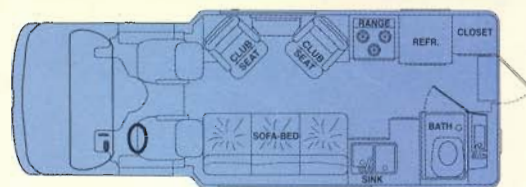
13" color TV w/ remote  
Video cassette player w/ remote  
Rear AM/FM compact disc stereo w/ speakers  
Microwave oven  
Corian® counter tops w/ back splash guards  
12V vacuum  
Fiberglass running boards w/ flares  
Stainless steel wheel liners  
Pro-flap mud flaps  
Solar panel charger w/ monitor panel  
Trailer hitch  
Front bumper step  
Remote heated deluxe side mirrors  
High-gloss wood grain dash decor package  
Fresh H<sub>2</sub>O filter  
Outside shower  
Six way power driver seat base  
Front driving lights  
Adjustable amplified TV antenna  
with power booster  
Black tank flush kit

## AVAILABLE OPTIONS

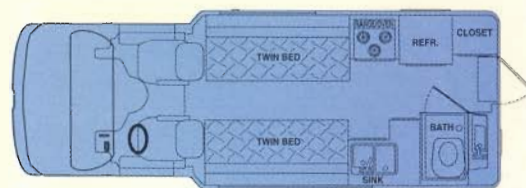
- LEATHER UPGRADE FRONT CAPTAIN'S CHAIRS
- QUADRA VERSION 4-WHEEL DRIVE
- THREE BURNER RANGE WITH OVEN
- COFFEE MAKER
- MICROWAVE CONVECTION OVEN
- LUGGAGE POD
- DIGITAL SATELLITE SYSTEM
- NU-HEAT HEATED FLOOR
- WALL MOUNT TELEPHONE
- MASTERMOUNT OUTSIDE TABLE/BIKE RACK SYSTEM
- AWNING WITH CRANK
- HAND HELD CB RADIO
- 4.0 GENERATOR WITH REMOTE START SWITCHES AND HOUR METER
- 13,500 BTU ROOF AIR WITH HEAT STRIP AND CLIMATE CONTROL CENTER
- POWER STROKE TURBO DIESEL
- REAR CAMERA WITH VISOR MOUNT LCD DISPLAY SCREEN
- RETAIL CUSTOMER FACTORY DELIVERY

## LUXURY PACKAGE

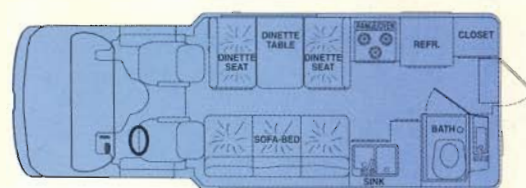
Deluxe digital rear view mirror with  
outside temperature, compass readout  
Beverage Mate - hot & cold cup holders  
Hidden safe



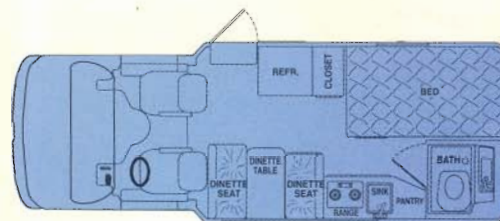
CLUB LOUNGE



TWIN BED



DINETTE



SIDE ENTRY

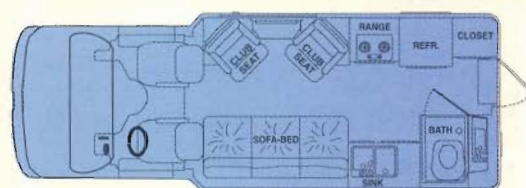
# Premier Floor Plans & Specifications.

## LT OPTION GROUP:

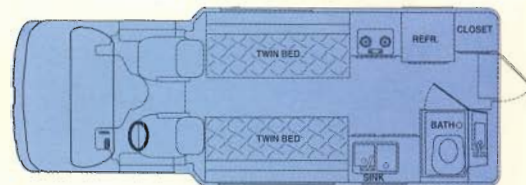
MICROWAVE OVEN, 13" COLOR TV W/ REMOTE, AMPLIFIED TV ANTENNA, VIDEO CASSETTE PLAYER, CABLE TV HOOK UP, DELUXE SIDE MIRRORS, RECEIVER HITCH, DELUXE HIGH GLOSS OAK DASH DECOR PACKAGE. POWER DRIVER'S SEAT BASE.

## AVAILABLE OPTIONS

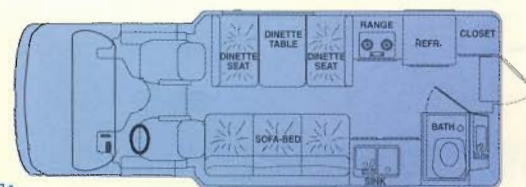
- THREE BURNER WITH OVEN
- FANTASTIC FAN UPGRADE
- MICROWAVE CONVECTION OVEN
- STAINLESS STEEL WHEEL LINERS
- APPROVED ENGINEERING CHANGE
- RETAIL CUSTOMER FACTORY DELIVERY
- AWNING W/ CRANK
- 13,500 BTU ROOF AIR WITH HEAT STRIP
- 4.0 GENERATOR W/ REMOTE START
- LUGGAGE POD
- SOLAR PANEL CHARGER, 43 WATT
- SLIDE-OUT BATTERY TRAY
- UPGRADE DELUXE POWER MIRRORS
- CD PLAYER
- LEATHER SEATING



CLUB LOUNGE



TWIN BED



DINETTE

**CHINOOK RV IS CONTINUALLY STRIVING TO IMPROVE!**

\*\*\*All specifications and equipment are subject to change without prior notice. Weights and capacities are approximate, and may vary by floor plan and optional equipment.\*\*\*

# THE MAJOR DIFFERENCE BETWEEN:

## THE 1998 CONCOURSE XL COMPARED TO THE 1998 PREMIER LT

- SOLID OAK RAISED PANEL DOOR CABINETS
- CORIAN® COUNTER TOPS
- DOUBLE DOOR 6' REFRIGERATOR
- EXTRA LARGE SOLAR PANEL
- BASE COAT, CLEAR COAT, TWO COLOR PAINT GRAPHICS
- THREE BURNER COOK TOP
- COMPACT DISC AM/FM STEREO IN REAR
- HEATED & REMOTE POWER MIRRORS
- FANTASTIC FAN WITH THERMOSTAT CONTROLS
- LIGHTED OVERHEAD CABINETS AND WARDROBE
- CHINA TOILET
- FIBERGLASS RUNNING BOARDS
- STAINLESS WHEEL LINERS
- DELUXE PULL OUT BATTERY TRAY
- FRONT BUMPER STEP
- CUTTING BOARD
- LARGE SOLAR-RAY WINDOWS
- VALANCES WITH INDIRECT LIGHTING
- OUTSIDE SHOWER
- OUTSIDE PATIO LIGHT
- LIGHTED DUMP VALVE AREA
- PHONE JACK
- SINGLE HANDLE METAL SINK FAUCETS
- LIGHTED GRAB HANDLE
- LARGE SPICE RACK CANISTER CABINET
- DSS SYSTEM PRE WIRE
- CHROME REAR STEP BUMPER
- INTERIOR FLOURESCENT LIGHTING
- DRIVING LIGHTS
- 16 K FURNACE
- 12V VACUUM
- 2 SINK COVERS
- 10' SEWER HOSE